

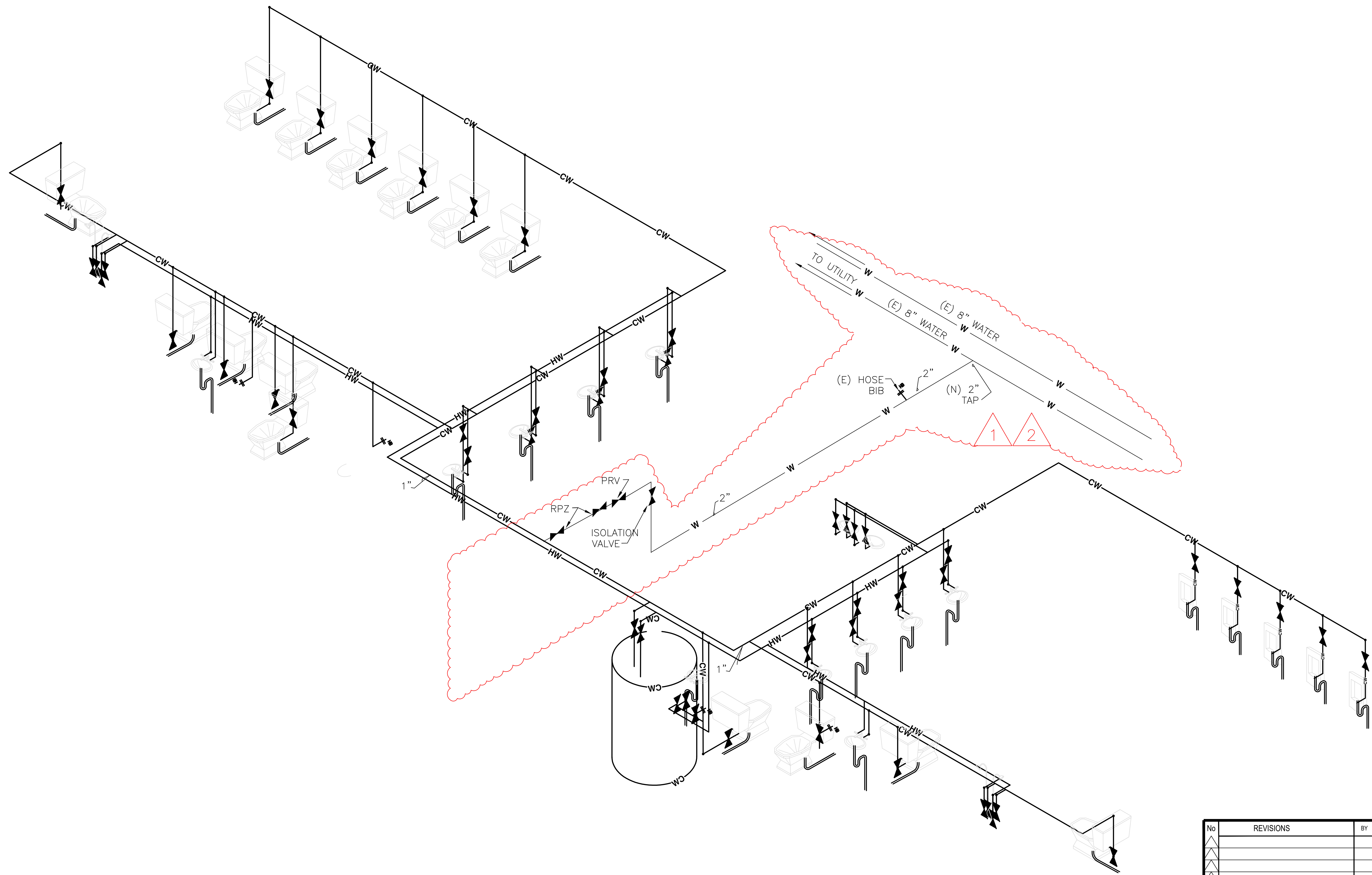
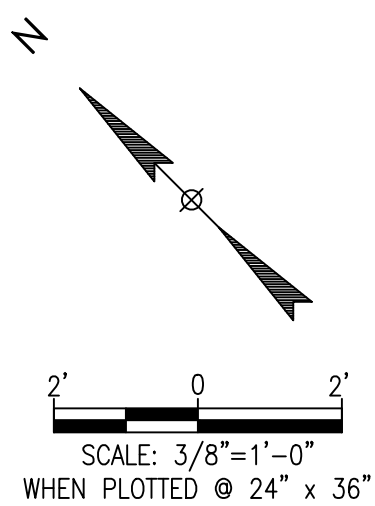


**ADDENDUM NO. 2- QUESTIONS AND ANSWERS CONTINUED
IFB-GC-FG-01-24
FAIRGROUNDS RESTROOM**

Note: Due to additional questions the deadline to submit bids will be extended to Tuesday, February 20, 2024, at 3:00pm MST.

Question 1: Our plumbers have come back inquiring about the 1-inch water service to the building, and that it will not provide enough water for the number/type of fixtures. Please take a look at this issue. The 1" service is marginal for the number of fixtures involved, but the length of the service is only about 5 feet away from an existing 8" water line, plus the length of the lines inside the building are fairly short, so pressure losses would be minimal. To be overly conservative, we have increased the service to 2", and show the new tap into the existing 8" line. The isolation valve, pressure reducing valve, and reduced pressure zone assembly are also upsized to 2" diameter, as shown on the attached updated P101 drawing.

DATE: 2023-12-18 DRAWING FILE: E:\MASTER FILES 4-10-21\PARKS AND FAIRS\GARFIELD COUNTY RESTROOMS\ADDENDA-1\GAR-MSTR-2-9-24RDB.DWG

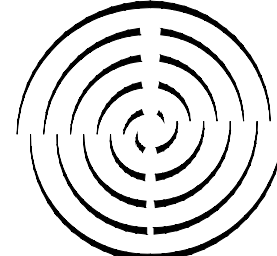


LEGEND:

- CW — COLD WATERLINE INSULATE LINE ON EXTERIOR WALLS
- HW — HOT WATERLINE INSULATE ALL LINES
- W — WATER SUPPLY
- VERTICAL CHANGE OF PIPE
- HOSE BIB


ISSUED FOR BID
12/15/23

RODNEY D. BURROWS & ASSOCIATES, S.
A COLORADO CORPORATION
1330 Nickel Ct.
Broomfield, CO 80020
971-533-6665



1 PLUMBING ISOMETRIC
P101 SCALE: 3/8" = 1'-0"
WHEN PLOTTED @ 24" x 36"

No	REVISIONS	BY	CHKD	PM	APPVD	DATE
1	REQUEST FOR INFORMATION	JLR	RDB	CF		2/10/24
2	REQUEST FOR INFORMATION	JLR	RDB	CF		2/6/24
3	ISSUED FOR BID	JLR	RDB	CF		11/2/23



Garfield County
GARFIELD COUNTY FAIRGROUNDS
RIFLE, COLORADO

NEW RESTROOM
PLUMBING ISOMETRIC

PROJ. NUMBER RFP-GC-FG-01-23	DRAWING NUMBER P101	SCALE AS NOTED	REVISION 2
---------------------------------	------------------------	-------------------	---------------